

Introducing the ADM-MD20 Pre-made Pouch Packaging Machine.

This Packaging Machine offers a cost-saving approach to bagging pre-made bags and can be applied to a wide variety of product. As shown here, it can be interfaced with other equipment for use as a complete turnkey line. For a fraction of the price, you can now operate a fully automated packaging line and present your product professionally in the market place. The ADM-MD20 makes automation look simple as it uses pneumatics cylinders and detection sensors set at various points in the cycle to ensure correct bag placement. Suction cups control and open the

bags before the chute lowers to allow an accurate product dump. A two head weigher presented above the Pre-made Packaging Machine includes two main feeders and two additional drip feed chutes for dosing the product and it also offers accurate weights and speeds. An inclined conveyor with product hopper ensures the weigher is kept consistently full. Other optional add-on systems include Screw Conveyors, Liquid Piston Filling and Auger Filling Systems. This line is simple and effective for all small to medium production runs.



VISIT
the website
to view the
machine
in action!



Visit our website: www.admpt.com.au

Visit our showroom at 3 Kerr Street Preston VIC

Phone: (03) 9484 8791

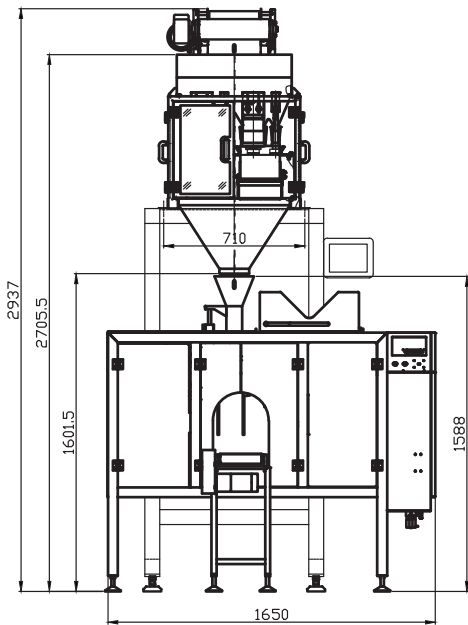
ADM-MD20 Pre-made Pouch Packaging Machine.

Model	ADM-MD20
Bag type	Pouch bag, pillow bag
Bag size	100 - 280 (W) x 150 - 360 (L)
Speed	Max: 20bpm
Power Supply	240/50Hz, 2.0kw
Air pressure	0.2m3/min 0.6Mpa
Packing size	Packing size



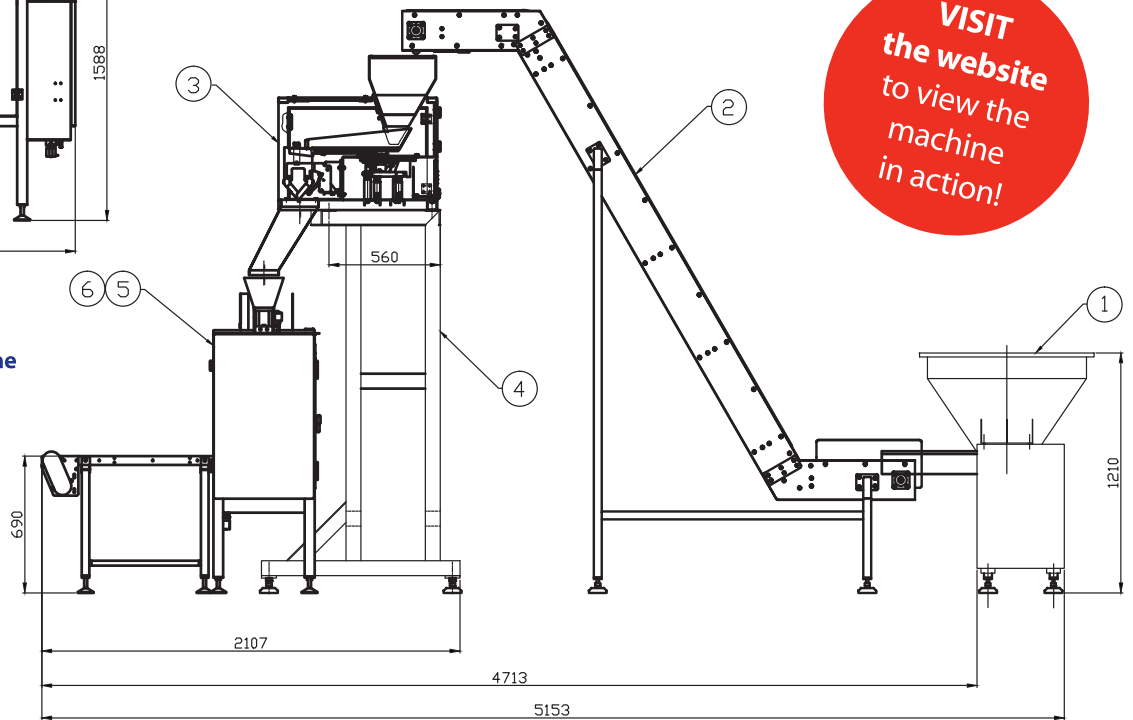
Features

- ✓ Stainless Steel Construction
- ✓ Speeds up to 20 bpm
- ✓ Multiple detection sensors
- ✓ Simple to operate
- ✓ Various bag sizes
- ✓ Small footprint
- ✓ Fast bag size change
- ✓ No bag, no dump
- ✓ Low operating cost
- ✓ Low maintenance



Complete Pre-made Pouch Line

1. Vibratory Feeder (+100mm)
2. Incline Conveyor (+100mm)
3. 2 Head Linear Weigher ADM-AX-21 (3kg)
4. Stand to suit
5. Pre-made Packaging Machine ADM-MD20
6. Hot foil Date Coder (Optional)



VISIT
the website
to view the
machine
in action!

Visit our showroom at 3 Kerr Street Preston VIC
or learn more at our website: www.admpt.com.au

Ph: (03) 9484 8791

